

Unit Specifications

Coil Tubing Unit - Shallow

The CWC Coil Tubing 600-2000 (Shallow) Unit is a fully integrated coil tubing unit mounted on a Kenworth TA 800 twin steer, tandem drive chassis. This unit has applications in coal bed methane completions and workovers, oil and gas workovers, as well as remedial production programs.

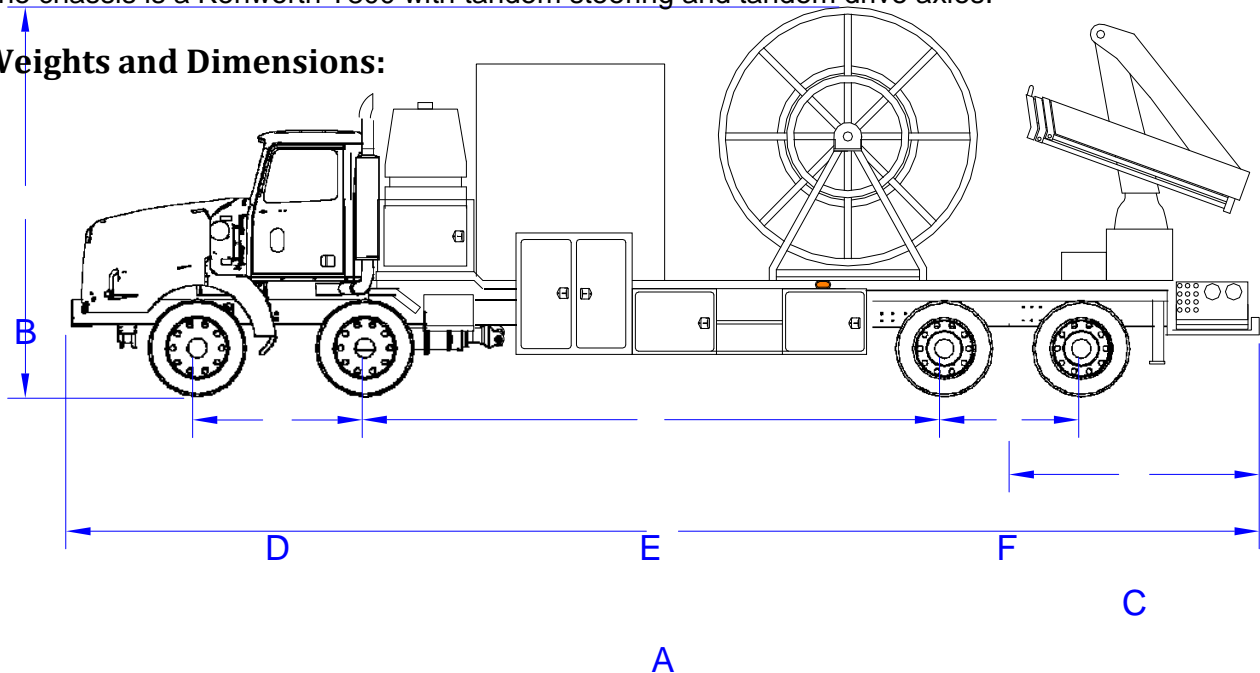
CWC Coil Tubing units are designed to work alone and in combination with CWC Nitrogen Pumping Units and have capabilities and configurations to work on Class I , II and III wells.

Being mounted on a Kenworth chassis, this unit meets all the current Canadian Standards for highway vehicles.

Chassis

The chassis is a Kenworth T800 with tandem steering and tandem drive axles.

Weights and Dimensions:



A	Overall Length	12.9m
B	Overall Height	4.15m
C	Rear Bumper	3.2m
D	Steering Axle Spacing	1.83m
E	Inter-Axle Spacing	9.33m
F	Drive Axle Spacing	1.59m

Maximum Width 2.71m



Front Tire Size	445/65R22.5 (4x)
Rear Tire Size	11R24.5 (8x)
Weight on Front Axles	13,530 lb
Weight on Rear Axles	19,940 lb

Powertrain:

Engine	Caterpillar C-15
Fuel Type	Diesel
Horsepower	550 @ 2100 RPM
Torque	1850 lb-ft @ 1200 RPM
Transmission	Eaton RTLO-18918B
Air Compressor	BW BA-921 15.9 Single Cylinder w/ Safety
Air Dryer	Meritor 1200 Heated Dryer

Fuel Tank

The coil tubing unit truck is furnished with dual, 150 gal aluminum fuel tanks.

Air System

The air system for typical unit operation consists of the following:

- An engine mounted air compressor
- An air receiver system
- Complete pneumatic plumbing (valves, drains and gauges)

The air system also includes a single air dryer and alcohol injector as options.

Hydraulic System

The hydraulic system includes the following components:

- 5 Stage commercial gear pump
- 90 Series Sunstrand injector drive pump
- blow out preventer accumulator comes with nitrogen back up



Equipment

The Coil Tubing Unit has a variety of equipment included with the package such as an injector, a coil tubing reel, a soap pump and tank, a compressor, a picker, and a blow out preventer (BOP).

Control Panel

There is a control panel in the operator's station control panel is fitted with the following:

- Throttle Control
- Hydraulic Controls
- Oil Pressure Gauge
- Emergency Shutdown Switch
- Engine Temperature Gauge
- Air Pressure Gauge
- Carrier/Pump Selector
- Work Lights

Injector

This unit uses a Hydraco WD-30 injector

Push/Pull	30,000 lb
Rate in Low Gear	50 m/minute
Injector weight	3500 lbs
Chain Tension	Hydraulically Adjusted
Skate Pressure	Hydraulically Adjusted
Tubing Stripper	KR-3
Blow Out Preventer	4-1/2" Annular preventer. **

Coil Tubing Reel

The reel uses an offset open spoke type of construction with square and rectangular steel tubing. The core consists of a rolled steel tube and lateral cross support beams. The tubing reel is mounted on heavy duty roller bearings in a steel frame that is moved transversely by hydraulic cylinders to spool the tubing evenly.

The reel is driven by a chain and sprocket assembly powered by a Danfoss hydraulic motor. Reel braking is accomplished through a self aligning air operated brake caliper and a flange mounted disk. The coiled tubing is connected to the reel shaft inside the reel core area. A high pressure ball valve is installed between the coiled tubing and the reel shaft.

Reel Capacity

1 1/4" diameter coiled tubing	3200 m
1 1/2" diameter coiled tubing	2300 m
1 3/4" diameter coiled tubing	1800 m

Soap Pump and Tank

A 14gpm, 3000psi triplex pump is paired with a 5bbl soap tank.

Compressor

A five stage compressor with a max capacity of 600 cfm and a max discharge pressure of 2000 psi.

Picker

This unit uses a Fassi F150A picker. It has a max capacity of 4490kg at 2.2m and 1210kg at 10m.

BOP

Typically this unit uses a 4-1/2" annular preventer.

** All our coil units can work with a selection of BOPs**

- 5-1/8" Dual Hydraulic Combination
- 4 1/16"-5000wp Dual Hydraulic Combination
- 3-1/2" Dual Hydraulic Combination

Picture

